

**D-SUB Connector**

**SPECIFICATIONS**

**Mechanical**

**Contact Engagement Force :** 0.34 Kgf/ Pin max.  
**Contact Separation Force :** 0.021 Kgf/ Pin min.  
**Durability :** 500 Cycles

**Electrical**

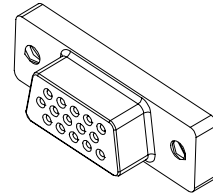
**Voltage Rating:** 240V  
**Current Rating:** 1A  
**Contact Resistance:** 30 mΩ max.  
**Dielectric Withstanding Voltage:** 500V AC/1 min.  
**Insulation Resistance:** 5000MΩ

**Physical**

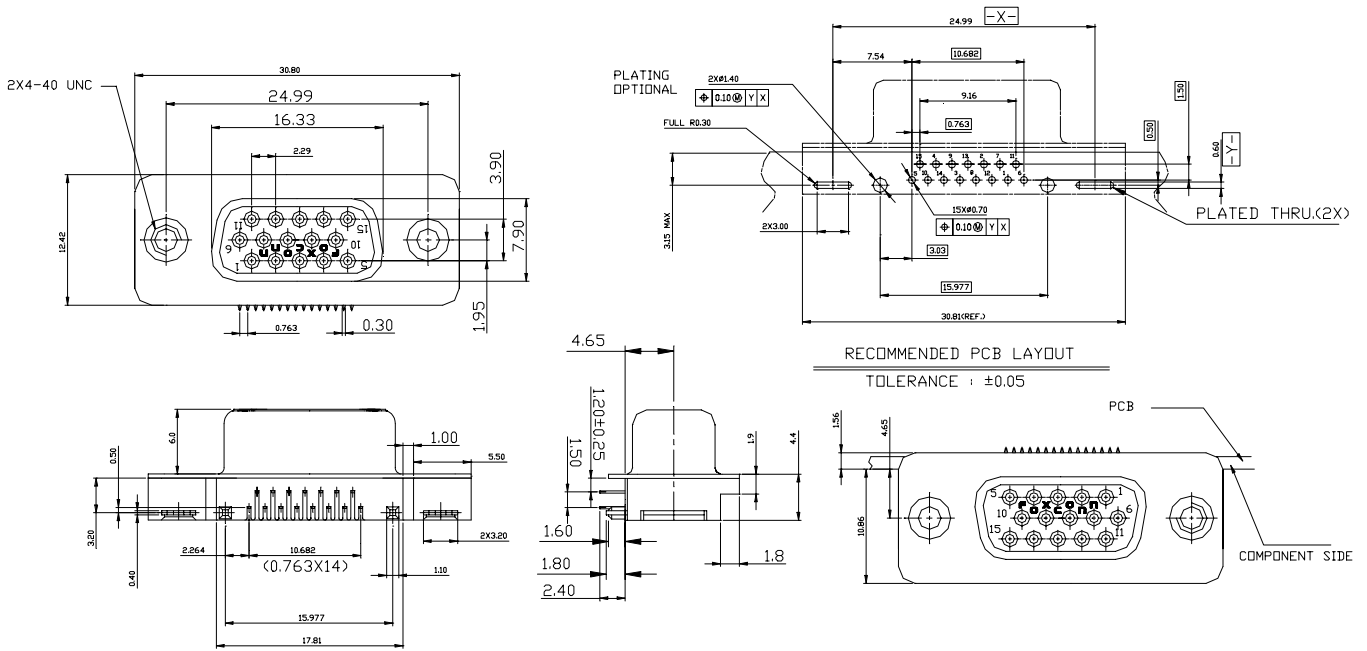
**Housing:** Thermoplastic, UL 94V-0 rated in Black/ PC99 Color  
**Contact:** Copper alloy  
**Plating:** See "ORDERING INFORMATION"  
**Solder Pad:** Copper alloy  
**Operating Temperature:** -55 to +105

**DZ Series**

**Right Angle, T/H, Female Type**  
**15 Pos.**  
**Center Height 4.65 mm**  
**Recommended PCB's Thickness 1.0or 1.2 mm**



**DRAWING**



**ORDERING INFORMATION**

PRODUCT NO. : **DZ 1 1 A 9 \* -- R \* 2 4 2 -- \* F**

- D-SUB Through Hole Series
- Terminator Type  
1 = Right Angle
- Contact Design Type  
1 = Female
- NO. of Contact Position  
A = 15 POS. High Density
- Body Length
- Lead free code
- Packing Code  
9 = Tape reel & Cap
- Extension Code
- Plastic color  
B = Black  
D = Dark blue  
L = Light blue
- R = R/A Reverse type
- Contact Area Plating  
1 = Gold flash

DZ11A9*—RD242—*F	DARK BLUE
DZ11A9*—RB242—*F	BLACK
DZ11A9*—RL242—*F	LIGHT BLUE
P/N	COLOR